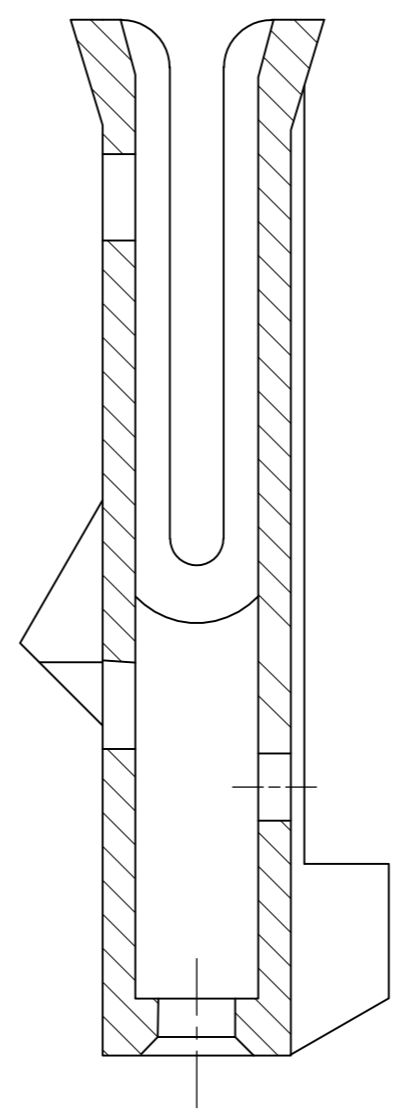
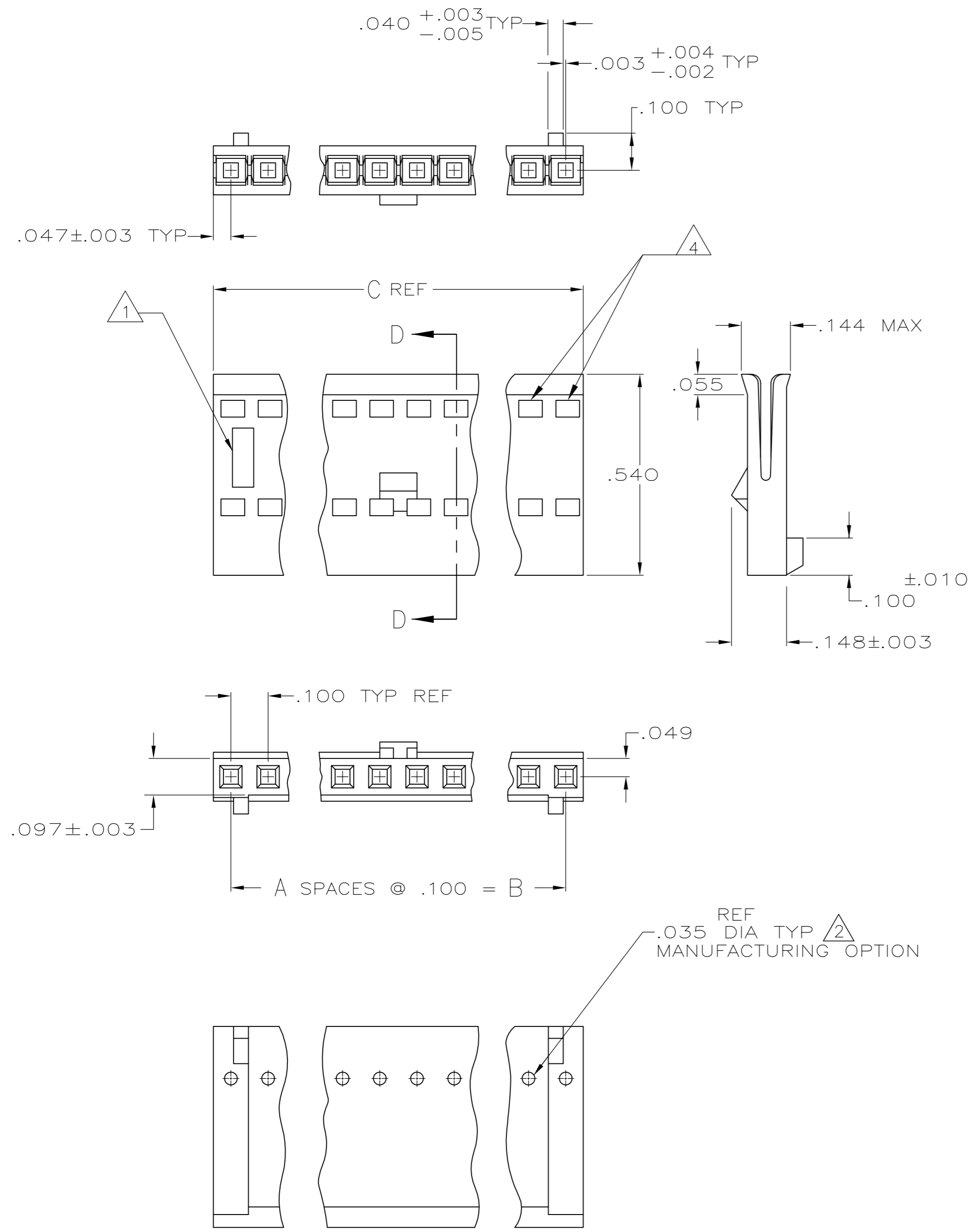


THIS DRAWING IS UNPUBLISHED. RELEASED FOR PUBLICATION  
 © COPYRIGHT - By - ALL RIGHTS RESERVED.

| LOC | DIST | REVISIONS |     |                           |           |     |      |
|-----|------|-----------|-----|---------------------------|-----------|-----|------|
| GP  | 00   | P         | LTR | DESCRIPTION               | DATE      | DWN | APVD |
|     |      | S         |     | REVISED PER ECO-11-017188 | 06DEC2011 | CJV | CWR  |



- $\triangle 1$  AMP TRADEMARK AND MOLD CAVITY IDENTIFICATION LOCATED AT EITHER END OF THE HOUSING IN APPROXIMATE AREA SHOWN.
- $\triangle 2$  THIS HOLE IS FOR MOLDING PURPOSES ONLY AND MAY BE FLASHED OVER.
- $\triangle 3$  OBSOLETE PARTS: OBSOLETE CIS STREAMLINING PER D.RENAUD/D.SINISI.
- $\triangle 4$  WINDOWS MAY OR MAY NOT BE PRESENT ON THIS END OF THE HOUSING.

|                        |       |       |    |             |            |
|------------------------|-------|-------|----|-------------|------------|
| OBSOLETE               | 2.494 | 2.400 | 24 | 25          | 2-487769-3 |
|                        | 2.394 | 2.300 | 23 | 24          | 2-487769-2 |
| OBSOLETE               | 2.294 | 2.200 | 22 | 23          | 2-487769-1 |
|                        | 2.194 | 2.100 | 21 | 22          | 2-487769-0 |
| OBSOLETE               | 2.094 | 2.000 | 20 | 21          | 1-487769-9 |
|                        | 1.994 | 1.900 | 19 | 20          | 1-487769-8 |
| $\triangle 3$ OBSOLETE | 1.894 | 1.800 | 18 | 19          | 1-487769-7 |
| OBSOLETE               | 1.794 | 1.700 | 17 | 18          | 1-487769-6 |
| OBSOLETE               | 1.694 | 1.600 | 16 | 17          | 1-487769-5 |
|                        | 1.594 | 1.500 | 15 | 16          | 1-487769-4 |
|                        | 1.494 | 1.400 | 14 | 15          | 1-487769-3 |
|                        | 1.394 | 1.300 | 13 | 14          | 1-487769-2 |
|                        | 1.294 | 1.200 | 12 | 13          | 1-487769-1 |
|                        | 1.194 | 1.100 | 11 | 12          | 1-487769-0 |
|                        | 1.094 | 1.000 | 10 | 11          | 487769-9   |
|                        | .994  | .900  | 9  | 10          | 487769-8   |
|                        | .894  | .800  | 8  | 9           | 487769-7   |
|                        | .794  | .700  | 7  | 8           | 487769-6   |
|                        | .694  | .600  | 6  | 7           | 487769-5   |
|                        | .594  | .500  | 5  | 6           | 487769-4   |
|                        | .494  | .400  | 4  | 5           | 487769-3   |
|                        | .394  | .300  | 3  | 4           | 487769-2   |
|                        | .294  | .200  | 2  | 3           | 487769-1   |
|                        | C     | B     | A  | NO OF POSNS | PART NO    |

THIS DRAWING IS A CONTROLLED DOCUMENT. DWN D. HUFFMAN 11-17-86  
 CHK D.R. WORTHINGTON 2-16-87  
 APVD - NAME  
 PRODUCT SPEC 108-9024  
 APPLICATION SPEC 114-16015  
 MATERIAL THERMOPLASTIC, FINISH -  
 WEIGHT -  
 CUSTOMER DRAWING

**TE** TE Connectivity  
 HOUSING, RECEPTACLE, DETENT, POLARIZED, FFC  
 SIZE A2 CAGE CODE 00779 DRAWING NO C=487769 RESTRICTED TO -  
 SCALE 4:1 SHEET 1 of 1 REV S